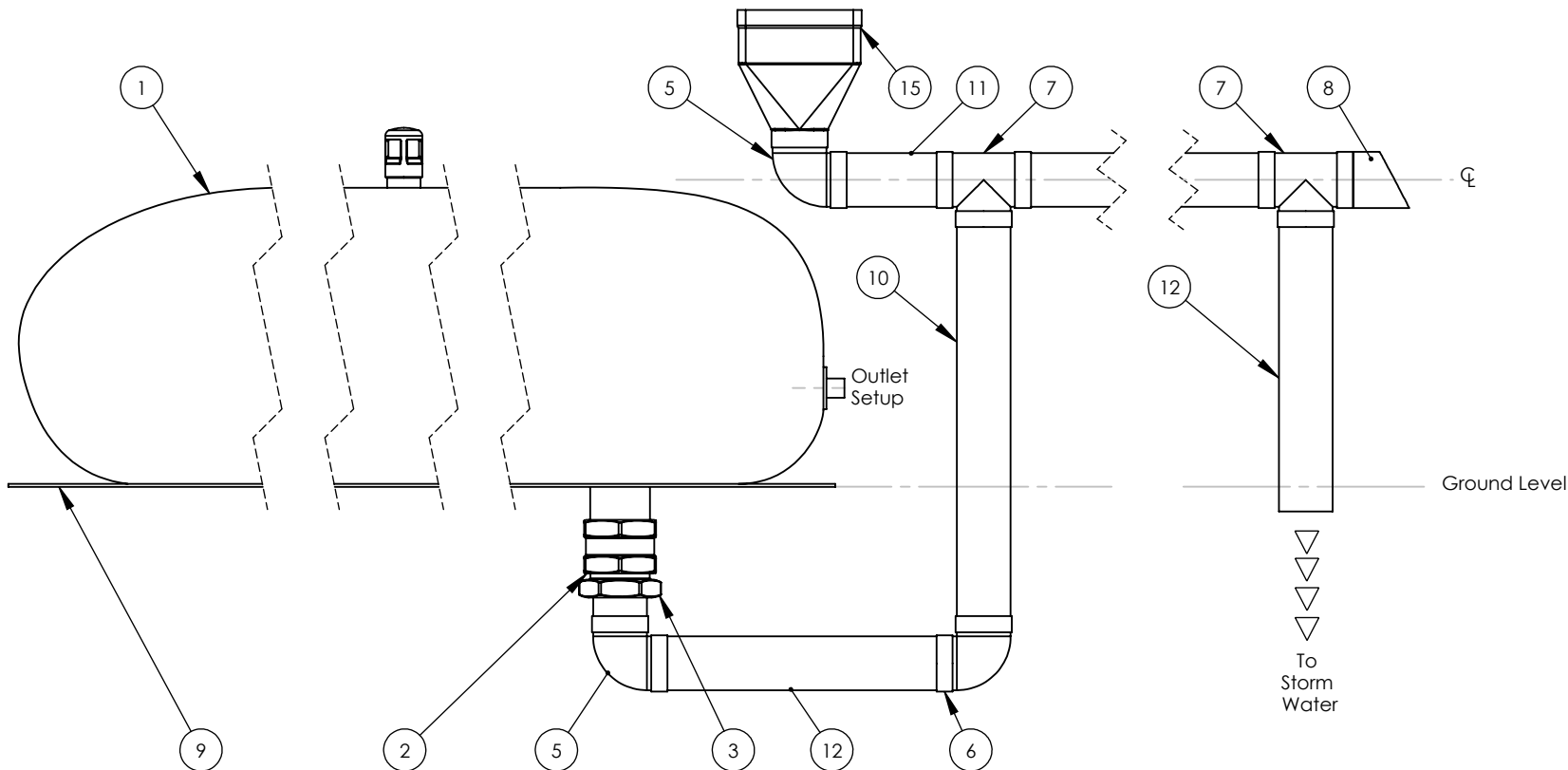
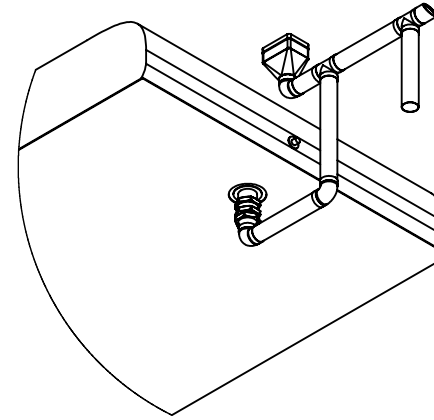


ITEM NO.	PART NUMBER	QTY.
1	RainPac-Bladder	1
2	RainPac-100mm Socket	1
3	RainPac-100mm M-BSP-F-Socket	1
4	RainPac-100mm- 90mm Adaptor	1
5	RainPac-90mm M+F - 90 degree Elbow	2
6	RainPac-90mm M+M - 90 degree Elbow	1
7	RainPac-90mm F+F+F Tee Piece	2
8	RainPac-90mm Mozzie Stoppa Hi Flow Flap Valve	1
9	RainPac-Ground Sheet	1
10	90mm Inlet to overflow	1
11	90mm Pipe	1
12	Overflow to Storm Water	3
15	RainPac-Leaf Eater Ultra	1

CENTRE OF OVERFLOW
SYSTEM SET HEIGHT
OF TANK WHEN FULL

RAINPAC BLADDER TANKS
HEIGHTS
1.0MTR WIDE = 400mm
1.3MTR WIDE = 550mm
1.6MTR WIDE = 650mm
2.0MTR WIDE = 715mm
2.4MTR WIDE = 715mm
2.6MTR WIDE = 715mm



REFERENCE ONLY



www.rainpac.com.au

(c) FloatPac Pty Ltd, 2015. Copyright subsists in this drawing and is the property of FloatPac. The use or reproduction, publication, or communication to the public of the whole, or any part, of this drawing without the written consent of the owner or its authorised licensee is not permitted, and will be regarded as an infringement of copyright. All rights reserved.

A4



Third Angle Projection

Unless otherwise specified:
Dimensions are in Millimeters
Debur and break sharp edges
Fillets and Rounds = 0.5mm

Injection Moulded Tolerances Unless Specified:

0 to 10mm	+0.20
11 to 25mm	+0.3
26 to 80mm	+0.4
81 to 120mm	+0.6
121 to 250mm	+1.0
251 to 400mm	+1.3
401 to 500mm	+1.6
501mm and over	+0.35%
Angular	+0°30'

Approval	
Client	XXX
Project	RAINPAC
Project No:	XXX
Drawing Title	OVERFLOW INSTALLATION HORIZONTAL DOWNPIPE
Drawing No:	XXX
Material	As Specified
Colour	As Specified
Finish	As Specified
Weight	As Specified
Sheet	01 of 01
Scale	As Specified
Revision	
Date	250915
Drawn	DES NJD REV
Checked	DES PM

DO NOT SCALE DRAWING