



FLEXITANK (AUSTRALIA) PTY LTD ABN: 95 110 871 782 P: +61 3 9548 4700 F: +61 3 9548 4744 E: sales@flexitank.com.au W: www.flexitank.com.au

INC:



The Flexidock PVC model (aqua blue in colour) is backed by Flexitank (Australia)'s three year manufacturer's warranty



The Flexidock poly urethane alloy model (beige in colour) is backed by Flexitank (Australia)'s six year manufacturer's warranty





FLEXI TANK (AUSTRALIA) PTY LTD ABN: 95 110 871 782 P: +61 3 9548 4700 F: +61 3 9548 4744 E: sales@flexitank.com.au W: www.flexitank.com.au

INC:

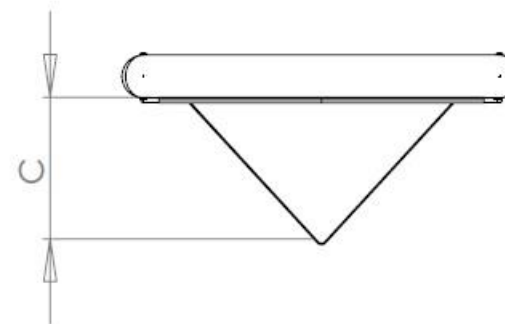
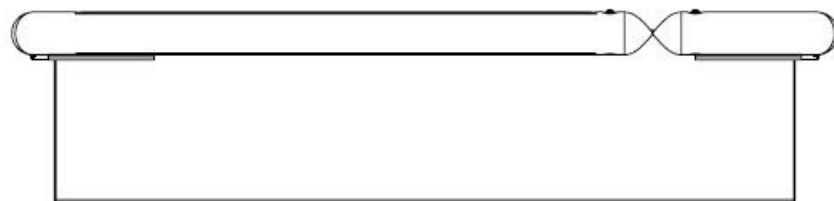
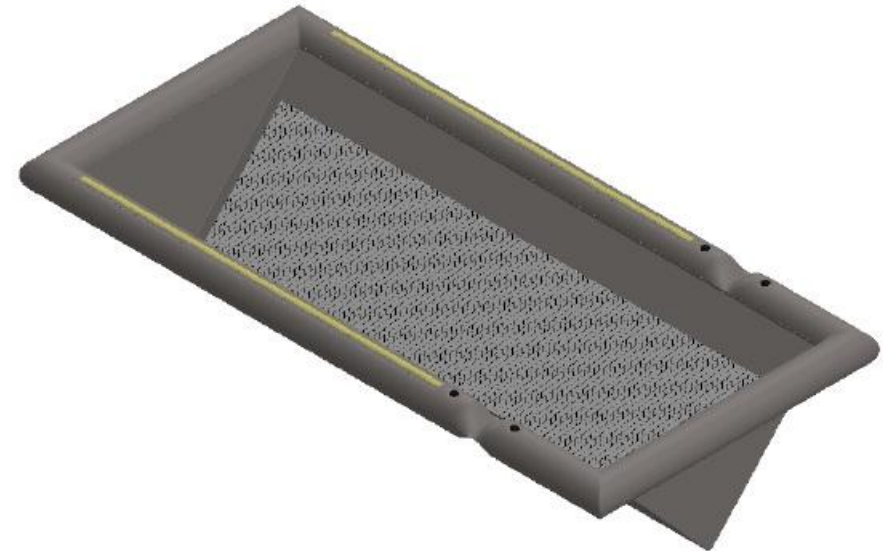
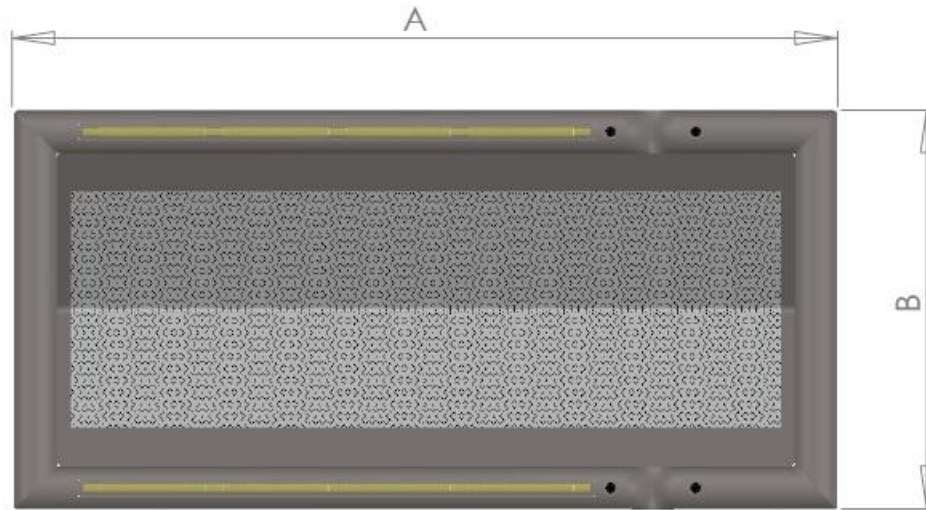


www.containerpac.com.au



www.rainpac.com.au

Flexidock's design lends itself to not only all types of water born craft, but also forward and reversing entry. The unique welded mesh inner layer allows a layer of air to exist between your boats hull and the Flexidock underwater sleeve, keeping your boat completely dry and protecting it from harmful electrolysis and osmosis problems.





FLEXI TANK (AUSTRALIA) PTY LTD ABN: 95 110 871 782 P: +61 3 9548 4700 F: +61 3 9548 4744 E: sales@flexitank.com.au W: www.flexitank.com.au

INC:



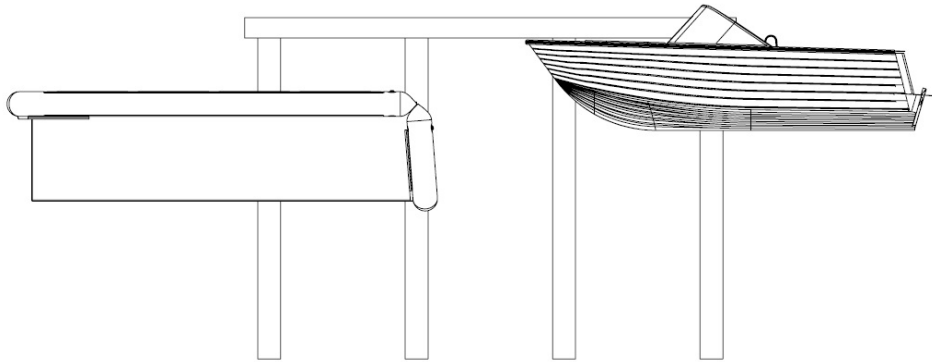
www.containerpac.com.au



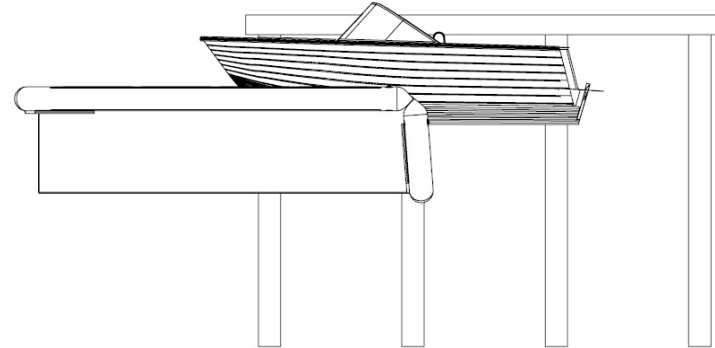
www.rainpac.com.au

## BASIC FLEXIDOCK OPERATION

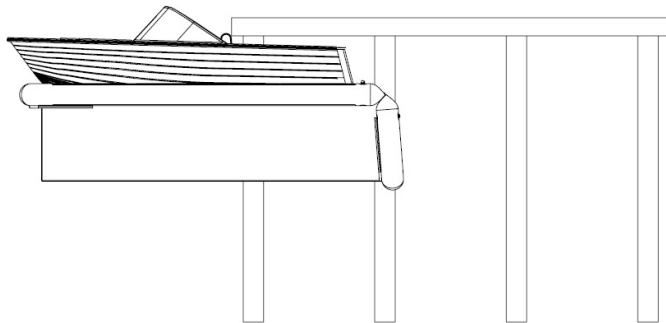
1 – Entering your Flexidock with the transom gate deflated



2 – Slowly enter your Flexidock



3 – Completely enter your Flexidock, raise your motor (where applicable) and inflate rear transom gate



4 – With the transom gate inflated, activate the automated bilge pump and walkway – your Flexidock will do the rest!

